

REMOVAL

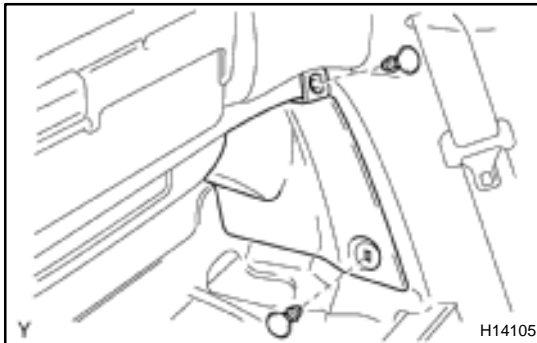
1. REMOVE DOOR SCUFF PLATES

- (a) Using a screwdriver, remove the door scuff plate

HINT:

Tape the screwdriver tip before use.

- (b) Employ the same manner described above to the other side.



2. REMOVE LOWER REAR SEPARATOR TRIM COVERS

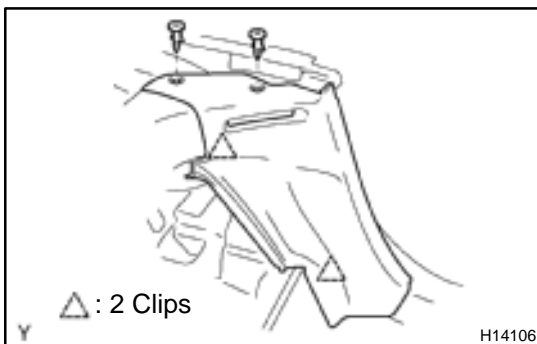
- (a) Remove the 2 clips.

- (b) Using a screwdriver, remove the separator trim cover.

HINT:

Tape the screwdriver tip before use.

- (c) Employ the same manner described above to the other side.



3. REMOVE QUARTER TRIM PANELS

- (a) Remove the floor anchor mounting bolt and disconnect the front seat outer belt.

- (b) Remove the 2 clips.

- (c) Using a screwdriver, remove the quarter trim panel.

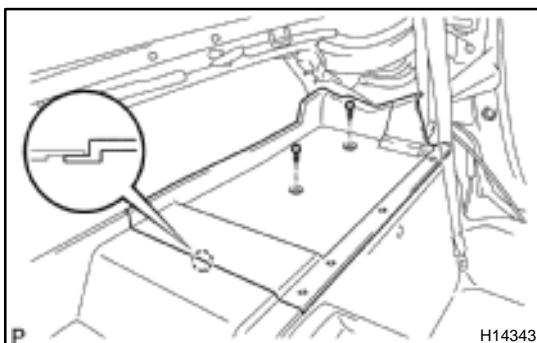
HINT:

Tape the screwdriver tip before use.

- (d) Employ the same manner described above to the other side.

4. REMOVE LUGGAGE COMPARTMENT LIDS

Remove 6 bolts and luggage compartment lids.



5. REMOVE LUGGAGE COMPARTMENT BOXES

- (a) Remove the 2 screws.

- (b) Using a screwdriver, remove the luggage compartment box.

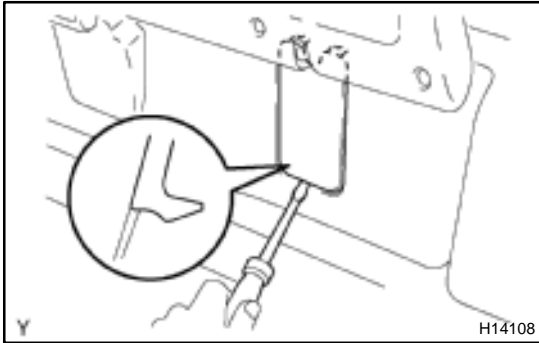
HINT:

Tape the screwdriver tip before use.

- (c) Employ the same manner described above to the other side.

6. DISCONNECT FRONT SEAT OUTER BELT

Remove the shoulder anchor mounting bolt and disconnect the front seat outer belt.

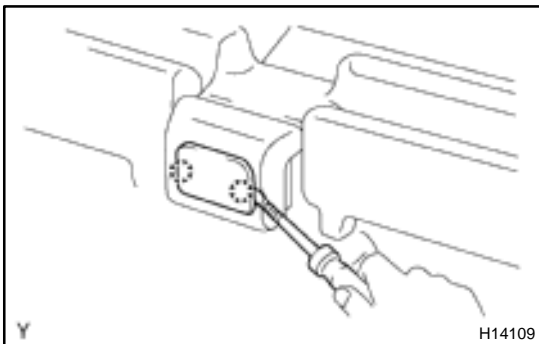
**7. REMOVE WIND DEFLECTOR BOARD**

(a) Using a screwdriver, remove the window deflector cover.

HINT:

Tape the screwdriver tip before use.

(b) Remove the 4 nuts and deflector board.

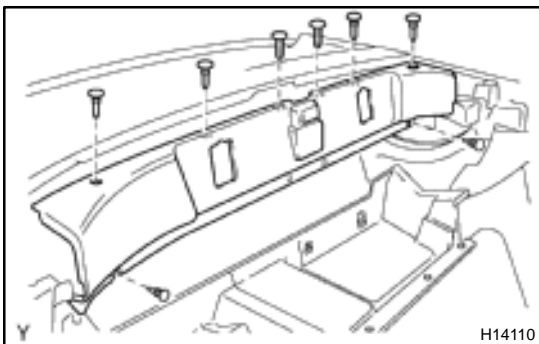
**8. REMOVE PULL HANDLE**

(a) Using a screwdriver, remove the cover.

HINT:

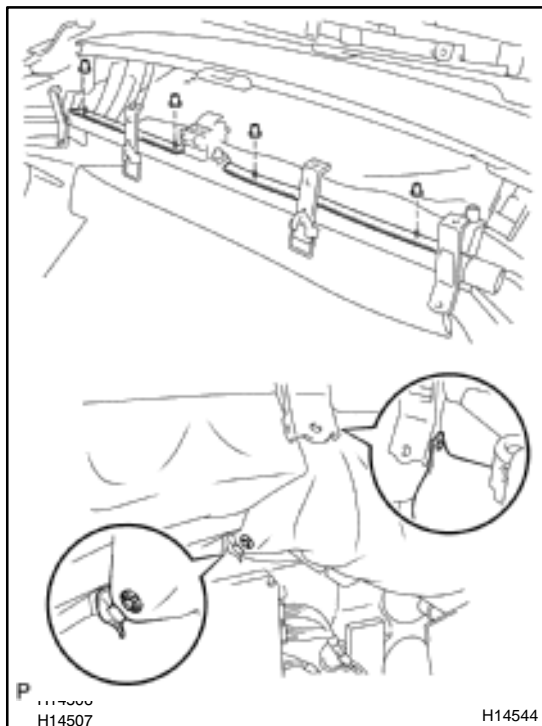
Tape the screwdriver tip before use.

(b) Remove the 2 screws and pull handle.

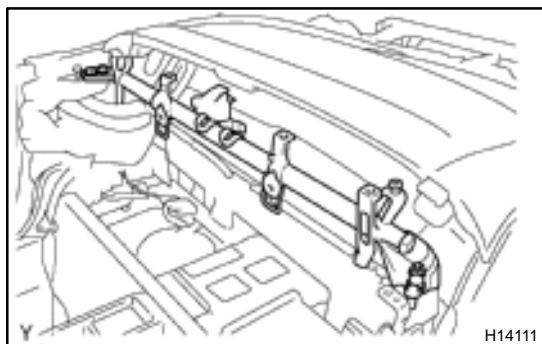
**9. REMOVE UPPER LUGGAGE COMPARTMENT GARNISH**

Remove the 8 clips and upper luggage compartment garnish.

10. REMOVE LUGGAGE COMPARTMENT COVERS

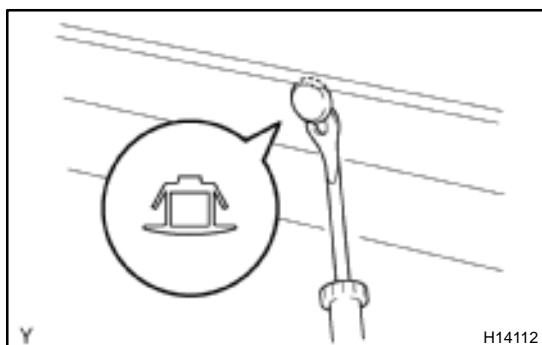


- 11. REMOVE PACKAGE TRAY TRIM PANEL ASSEMBLY**
- Remove the 4 clips.
 - Remove the clip and button.
 - Remove the package tray trim suspender then remove the package tray trim panel.
 - Employ the same manner described above to the other side.



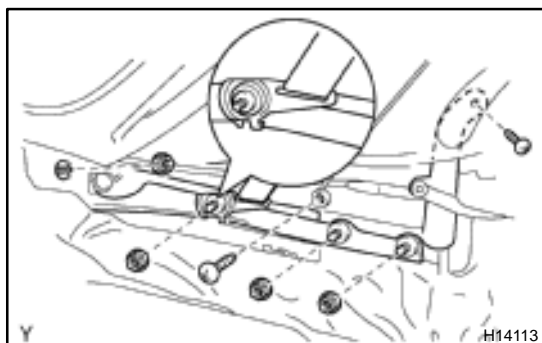
12. REMOVE FRONT TOP AND TARPAULIN SUPPORT FRAME

Remove the 2 bolts, 2 nuts and front top and tarpaulin support frame.



13. REMOVE ROOM PARTITION BOARD

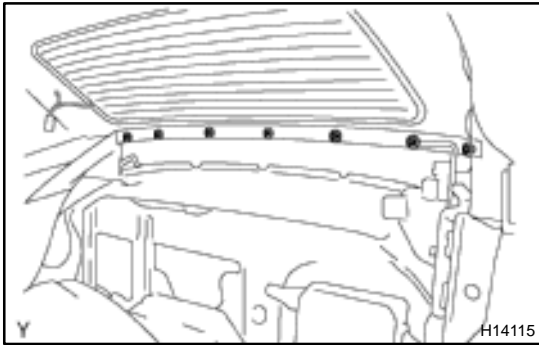
Using a clip remover, remove the 3 clips of room partition board.



14. REMOVE TARPAULIN COVER SIDE RETAINERS

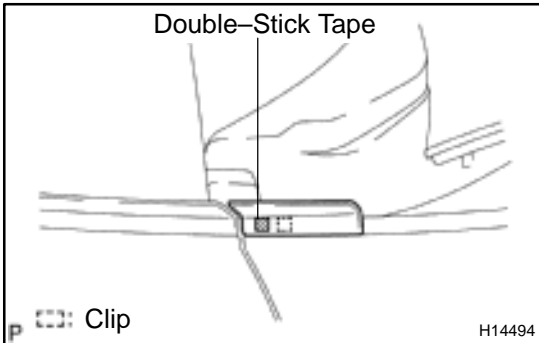
- Pull up the side cloth.
- Remove the screw and wire
- Remove the screw, 4 nuts and tarpaulin cover side retainer.
- Employ the same manner described above to the other side.

15. REMOVE TAIL GATE LOWER SEAL



16. REMOVE UPPER TARPAULIN COVER RETAINER

Remove the 7 nuts and upper tarpaulin cover retainer.



17. REMOVE SIDE BELT MOULDING

(a) Using a screwdriver, remove the side belt moulding.

HINT:

Tape the screwdriver tip before use.

(b) Employ the same manner described above to the other side.

18. REMOVE REAR BELT MOULDING ASSEMBLY

(a) Remove the rear end of the tarpaulin from the stud bolt.

NOTICE:

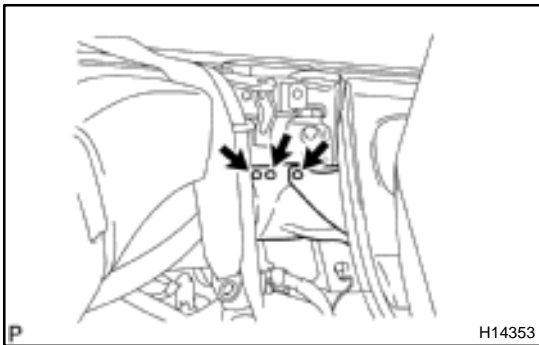
Take care not to damage the glass.

(b) Remove the 8 bolts.

(c) Using a screwdriver, remove the rear belt moulding.

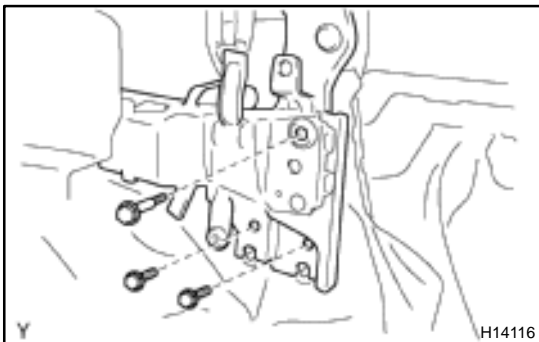
HINT:

Tape the screwdriver, tip before use.

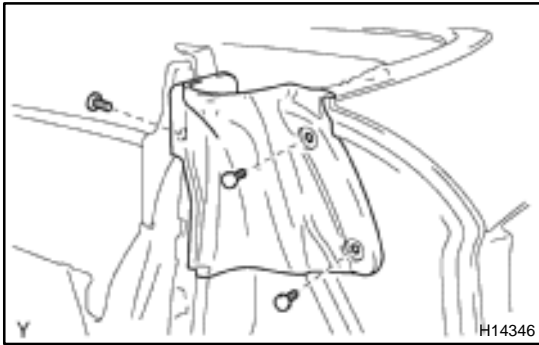


19. REMOVE TARPAULIN ASSEMBLY

(a) Remove the 3 clips then disconnect the side gate seal partially.



(b) Remove the 6 bolts and tarpaulin assembly.

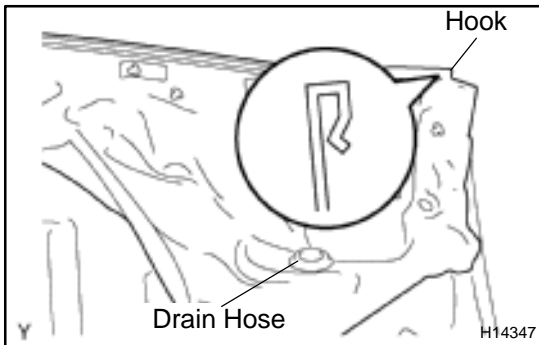
**20. REMOVE DUST ROOF WEATHERSTRIPS**

- (a) Using a screwdriver, remove the 3 clips and dust roof weatherstrips.

HINT:

Tape the screwdriver tip before use.

- (b) Employ the same manner described above to the other side.

**21. REMOVE SIDE GATE SEALS**

- (a) Remove the tail gate lower seal partially.
- (b) Unhook the center pillar hook partially.
- (c) Pull out the drain hose and remove the side gate seal.
- (d) Employ the same manner described above to the other side.